

DIEDRICH DRILL

D 50

High Torque, Heavy Duty, All-Purpose Drill Rig



The D-50 is our premiere, all-purpose drill rig for the environmental and geotechnical drilling industry. With up to 8,800 ft lbs of spindle torque, it can power through most any job! Whether it is the D-50's ability to be mounted on a variety of carriers, or its superior drilling capability with augers, soil sampling, coring or probing, you can be sure you have a versatile drill that has the ability to get you where you need to go and the power to get the job done!



DIEDRICH DRILL

5 Fisher Street
LaPorte, Indiana 46350
Website: www.diedrichdrill.com

Phone: 800-348-8809
Local: 219-326-7788
Fax: 219-324-5962

Power Source:

John Deere, 4 Cylinder Turbo Diesel, Liquid Cooled
115 HP with Tier 4 Emissions

Maximum Gross Spindle Torque:

1st Gear
8,800 ft. lbs.* (11,930 NM*)

Spindle Bore:

3 1/2" (89mm)

Push and Retract Force:

Up - 22,581 lbs. (100 kN)
Down - 14,453 lbs. (64 kN)

Maximum Spindle Speed:

1st Gear - 97 RPM*
5th Gear - 780 RPM*

Rotary Box:

#80, triple strand roller chain drive, totally enclosed and running in oil

Clutch and Transmission:

12-1/4" hydraulic clutch with heavy-duty helical gear transmission with 5 forward gears and 1 reverse gear

Right Angle Drive:

Heavy-duty gear box totally enclosed and running in oil

Frame and Base:

The drill frame is a weldment constructed of heavy wall rectangular steel tubing with sufficient strength and rigidity for heavy duty use. The hydraulically operated sliding base has 16" (406 mm) of forward/reverse travel and 6" (152 mm) of side-to-side movement to provide clearance for hoisting tools and can be mounted on any flat,adequate size surface.

* Optional High-Speed Rotary Box Available



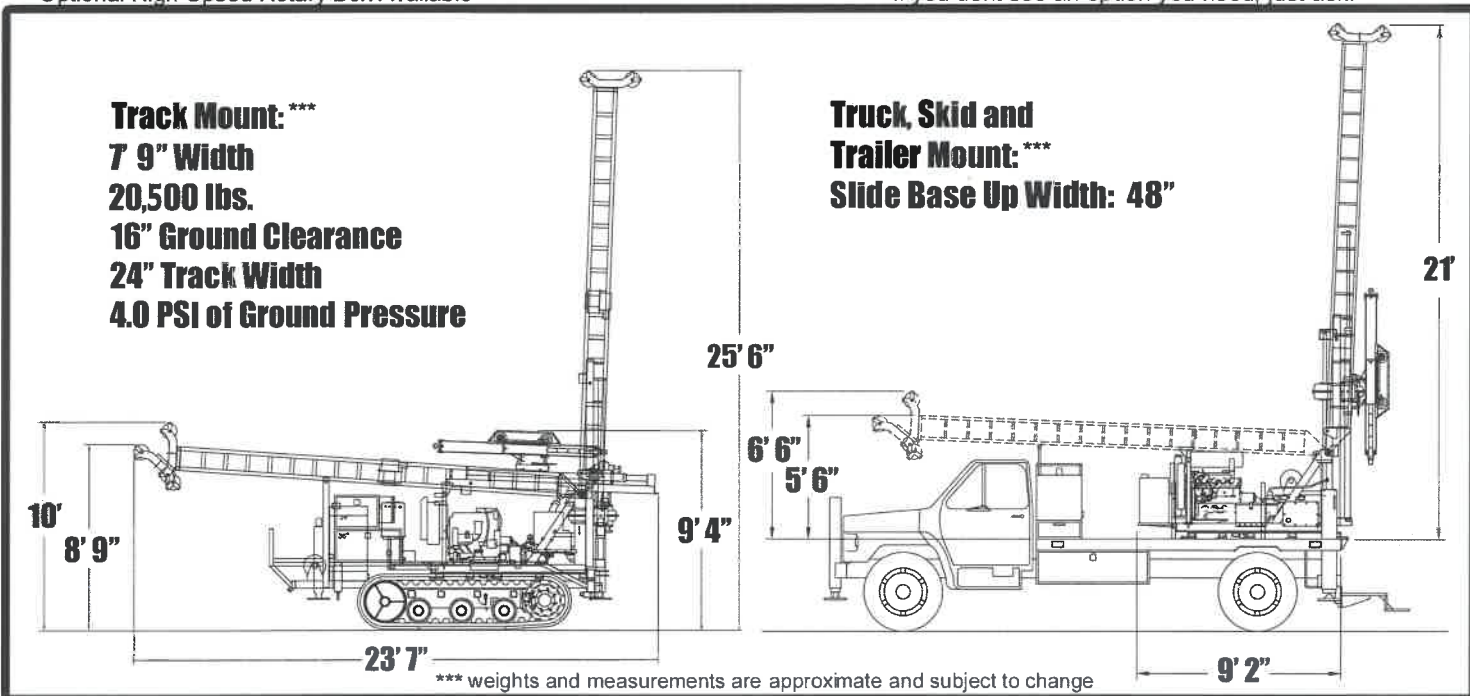
Specifications



Optional Equipment:**

- Low Overhead Clearance Feed Frame
- Cathead Hoist and/or Automatic SPT Hammer
- Hydraulic Hoists - 800 lbs. Through 7000 lbs.
- Water Pumps and/or Water Tank
- Rod Holder and/or Breakout Wrench
- Hydraulically Operated Chuck

** If you dont see an option you need, just ask!



Rev 11.2023

DIEDRICH DRILL

5 Fisher Street
LaPorte, Indiana 46350
Website: www.diedrichdrill.com

Phone: 800-348-8809
Local: 219-326-7788
Fax: 219-324-5962