

DIEDRICH DRILL

D 26

Compact. Powerful. All-Purpose Drill Rig.

Designed with a new hydraulic powertrain and an improved control panel, this drill delivers maximum productivity in the smallest possible footprint. If you need a drill that offers restrictive-clearance capability while remaining compact, lightweight, and powerful enough to auger, soil sample, and core—look no further.

The D-26 is built for versatility, offering customizable configurations—on tracks, skid, trailer, or truck—to match the demands of your workflow.



DIEDRICH DRILL

5 Fisher Street
LaPorte, Indiana 46350
Website: www.diedrichdrill.com

Phone: 800-348-8809
Local: 219-326-7788
Fax: 219-324-5962

Power Source:

CAT 1.7L, liquid cooled, 3cyl. Diesel engine
40 HP @ 2800 RPM, with Tier 4 Emissions

Maximum Gross Spindle Torque:

Low Range
3,370 ft. lbs. (4,569 Nm)

Spindle Bore:

2.250 inches I.D. (57 mm)

Push and Retract Force:

Up - 11,290 lbs. (50.2 kN)
Down - 9,250 lbs. (41.2 kN)

Maximum Spindle Speed:

High Range
800 RPM @ 2800 Engine RPM

Rotary Box:

The D-26 features a fully enclosed, oil-lubricated #60 double-strand chain drive.

Hydraulic Drivehead:

Hydrostatic Pump Powered
2 Speed Hydraulic Drive Motor

Feed Frame:

Variable Angle Capable, Low Clearance Design is Standard

Frame and Base:

The drill frame is a welded assembly made from heavy-wall rectangular steel tubing, providing the strength and rigidity needed for heavy-duty use. Its hydraulic sliding base offers 16" (406 mm) of forward/reverse travel and 6" (152 mm) of side-to-side movement for tool clearance and can be mounted on any flat, adequately sized surface.



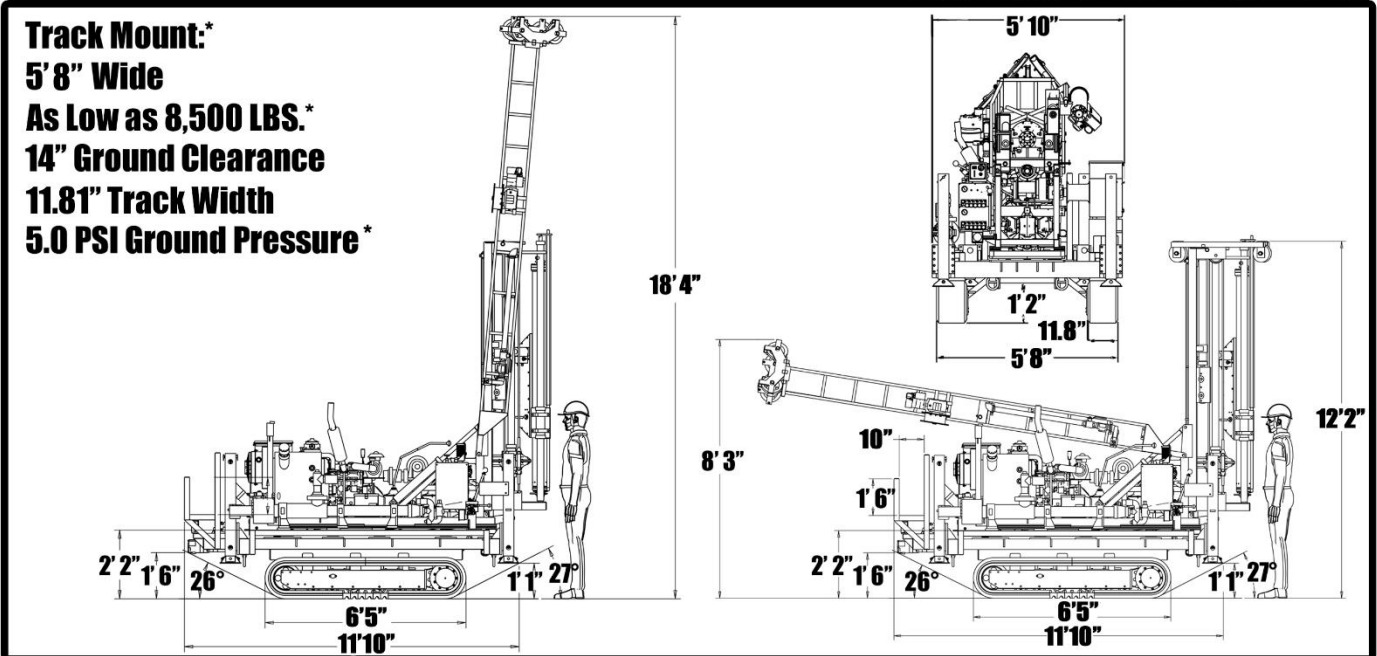
Specifications



Optional Equipment:**

- Low Overhead Clearance Sheave Mount
- Cathead Hoist and/or Automatic SPT Hammer
- Hydraulic Hoists - 800 lbs. Through 3,000 lbs.
- Water Pumps and/or Water Tank
- Rod Holder and/or Breakout Wrench

** If you dont see an option you need, just ask!



*weights and measurements are approximate and subject to change

REV 12/2025

DIEDRICH DRILL

5 Fisher Street
LaPorte, Indiana 46350
Website: www.diedrichdrill.com

Phone: 800-348-8809
Local: 219-326-7788
Fax: 219-324-5962